

Kandal Pump

Usage

The Kandal Pump is a simple handpump for a single family. It is a suction pump of durable PVC.

The handle bar is moved up and down to suck the water up. The water can be transported over long distances, for example for drip irrigation systems.

The maximum height difference is 4-6 meter.

The pump can easily replace broken VN 6 or other suction pumps because the hose in the tube well/hand dug well is smaller than 49mm.

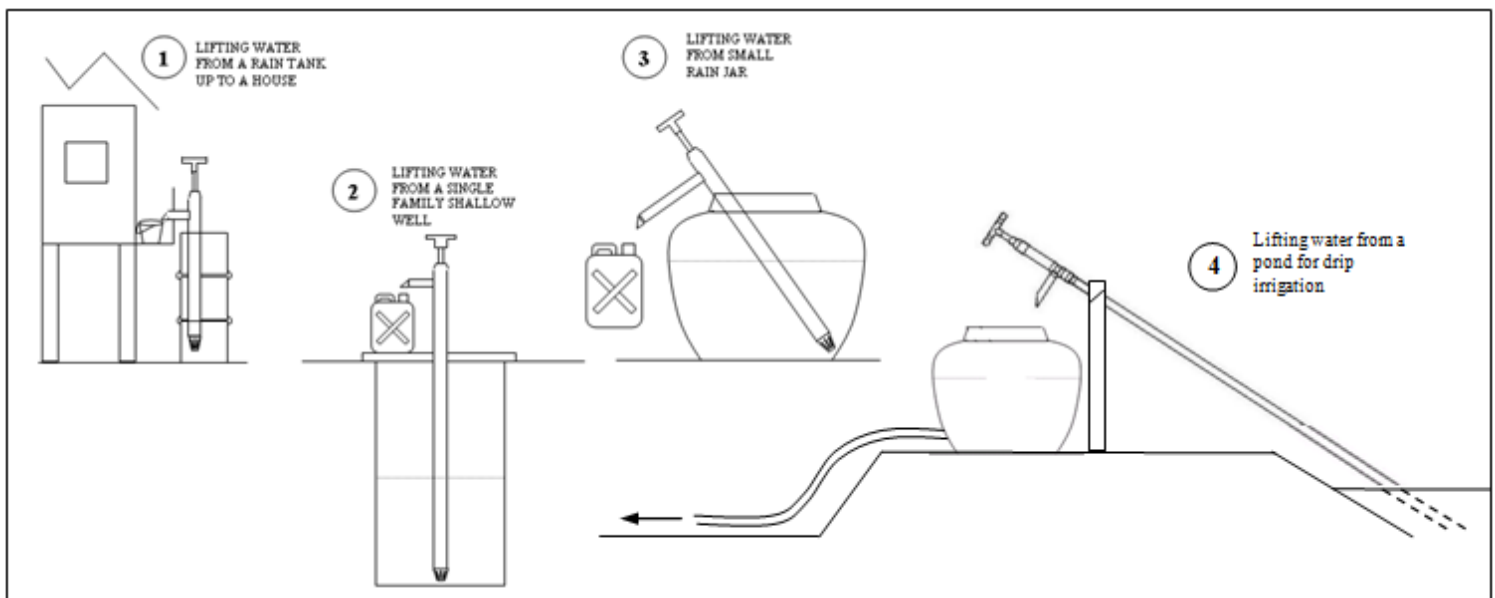
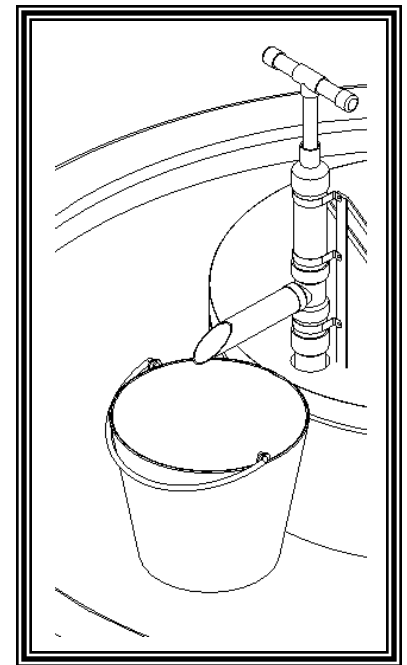
Material

High quality PVC pipes and fittings. It consists of an inner and outer assembly, both of which contain a valve unit.

The Kandal Pump comes in 2 pieces therefore is easy to transport, install and maintain.

Price

\$15-19



(May'14)



Ideas at Work

#132, Street 1019 (Hanoi Street), Sangkhat Khmounh, Khan Sen Sok, Phnom Penh
info@ideas-at-work.org www.ideas-at-work.org
023 350 911(KH/EN), 017 660 252 (KH), 012 604 348 (EN/KH)